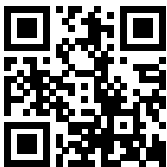
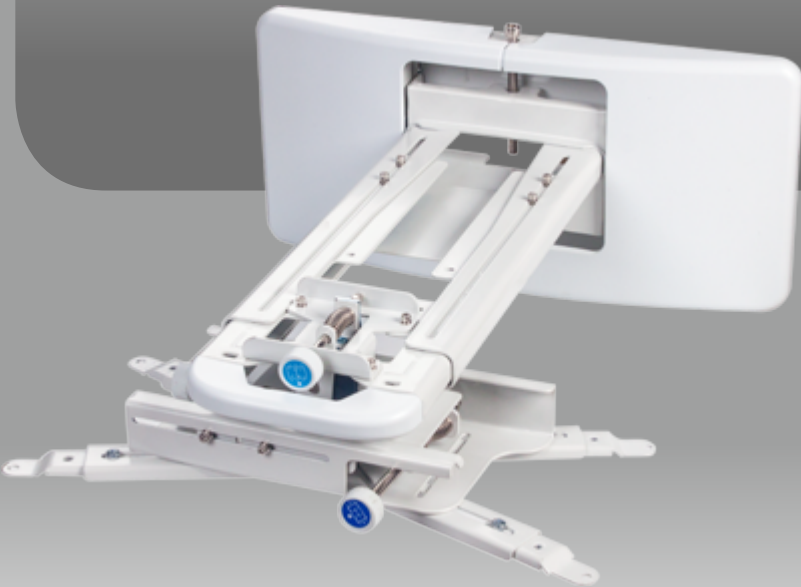


PROJECTOR WALL MOUNT

INSTALLATION MANUAL



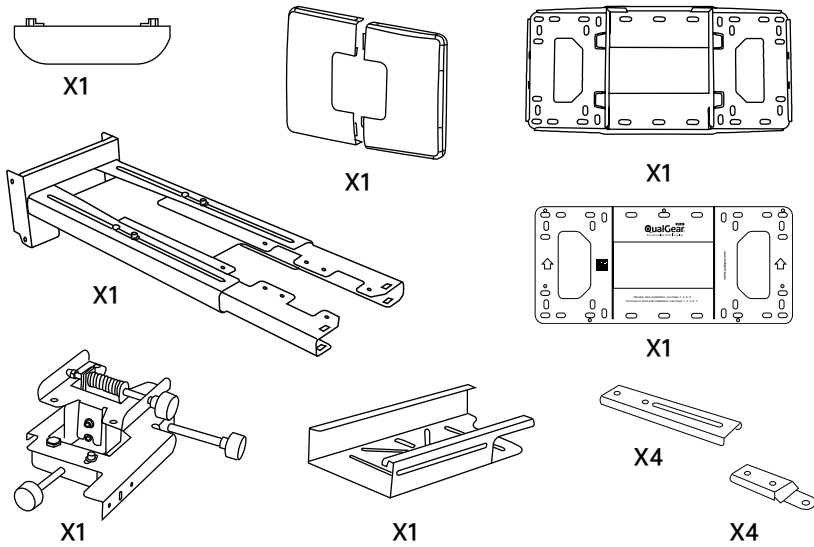
CAUTION!

Do not exceed the maximum rated weight specified. Otherwise, serious injury or property damage may occur.

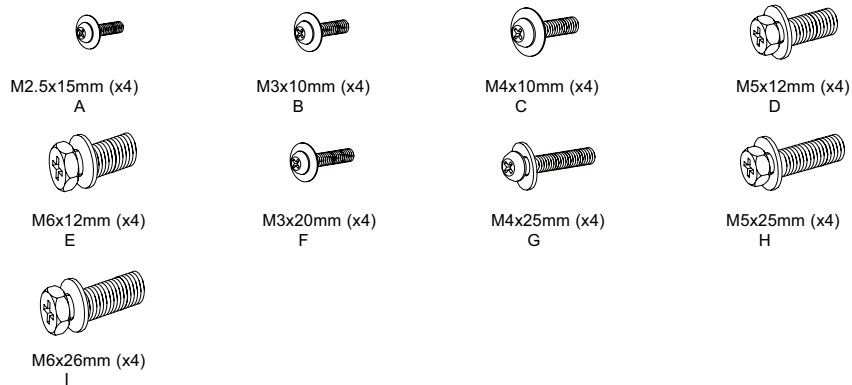


ADJUSTABLES: Vertical Tilt, Horizontal Roll, and Horizontal Rotation: +/- 5 degrees
Horizontal Slide (Forward/Backward): 358 – 658mm, from the center of the wall plate
Horizontal Slide (Left/Right): 90mm

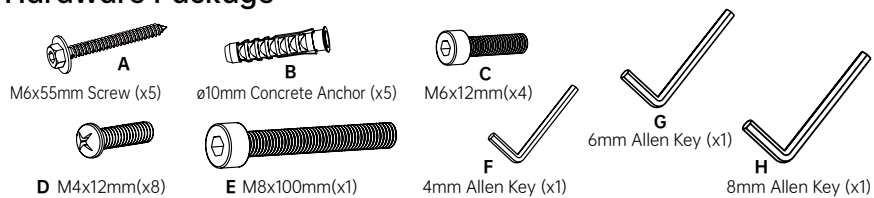
Bill of materials



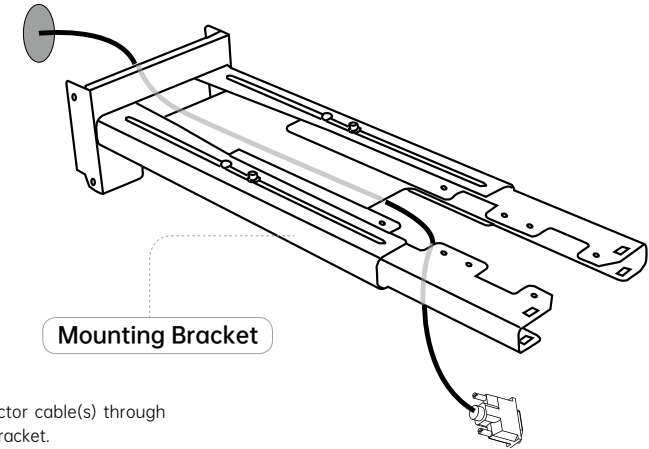
Hardware Package



Hardware Package

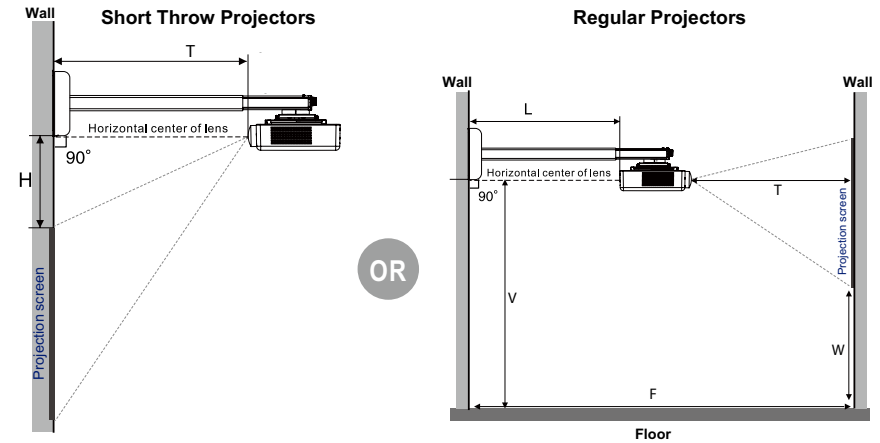


1. Cable Management



Feed the projector cable(s) through the mounting bracket.

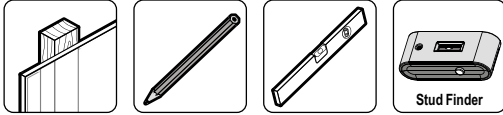
2. Checking the Installation Position



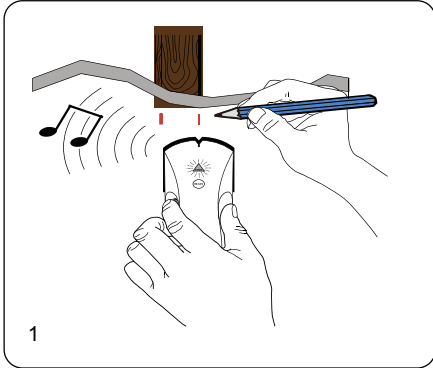
Please refer to the diagram above and the user manual of your projector to determine the proper placement of the projector wall mount.

F: Distance between the walls/ length of the room
 H: Distance from the top of the projector screen to the center of the lens
 L: Distance from the wall to the projector
 T: Throw distance/ projection distance
 V: Distance from the bottom of the floor to the center of the lens
 W: Distance from the floor to the bottom of the projector screen

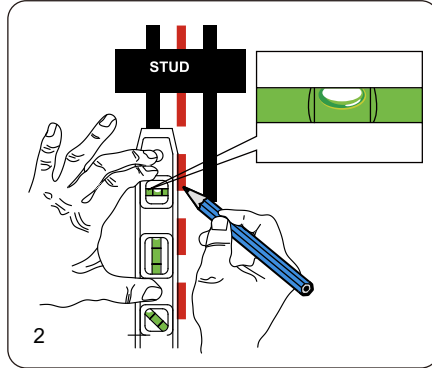
3. Mounting to a Wooden Stud Wall



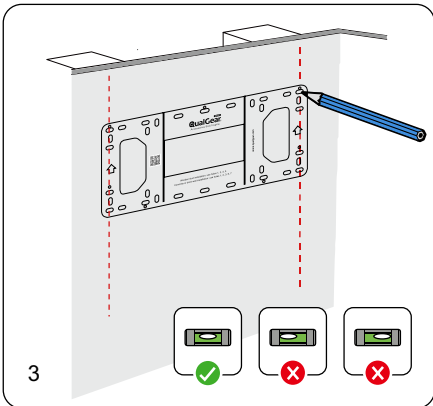
NOTE For concrete or brick wall mounting, follow Step 3b.



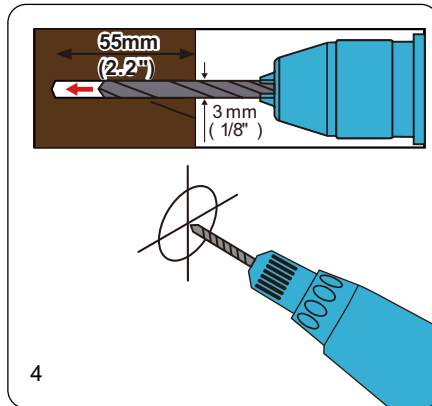
1 Using an edge-to-edge stud finder, find the edges of the stud.



2 Using a level, mark the centerline of the stud.



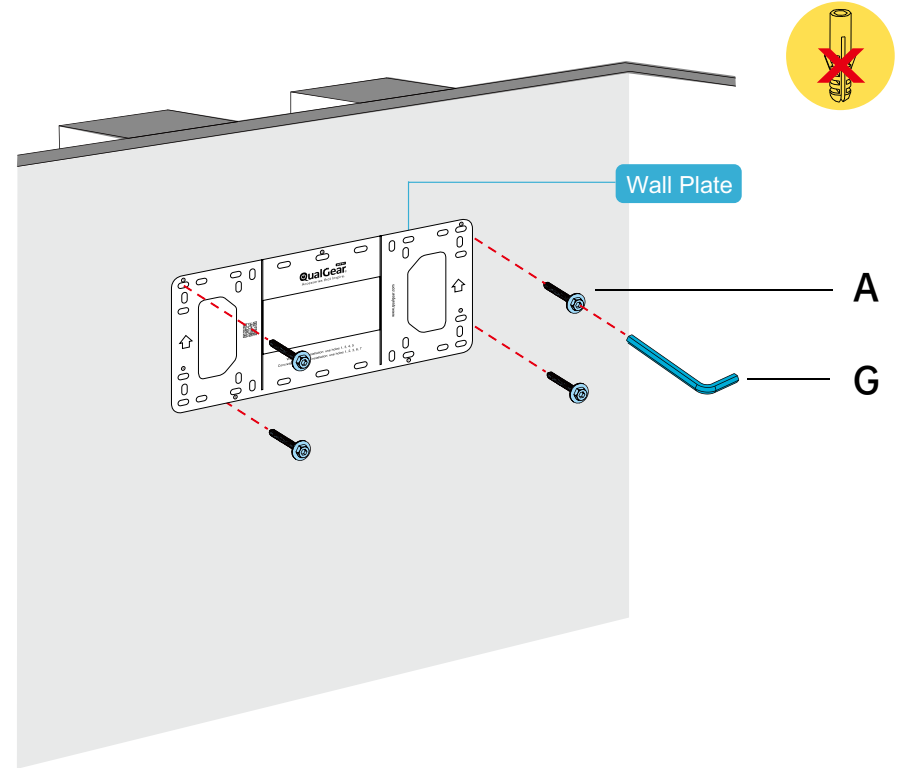
3 Using the marking template provided, mark four holes for drilling on the centerline of each stud.



4 Using a power drill and 1/8" drill bit, drill pilot holes of 1/8" (3mm) diameter and at least 2.2" (55mm) depth at the marked locations in the previous step.

3. Mounting to a Wooden Stud Wall

NOTE Do NOT use power drill and do NOT over tighten the lag bolts.

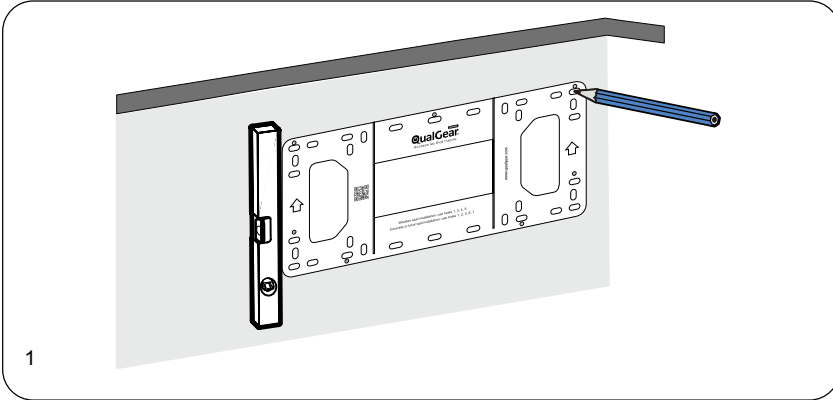
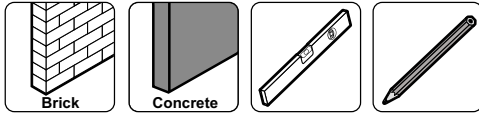


5. Using a 5mm allen key (W-C), mount the wall plate and fasten with the M6x55mm screws (W-A).

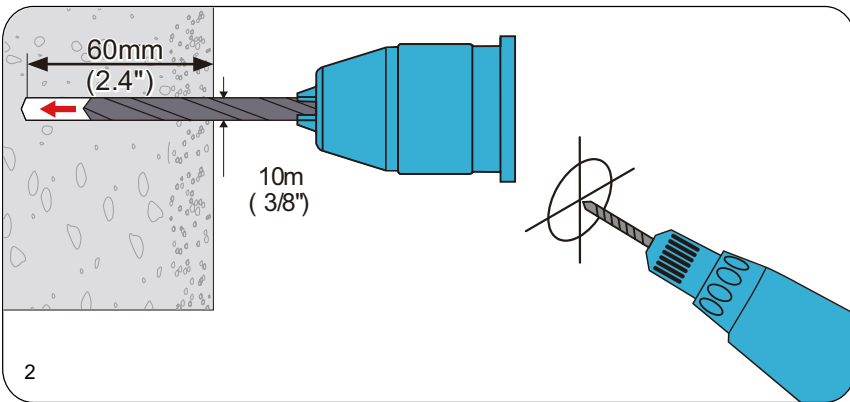
WARNING

- Installers are responsible to provide hardware for other types of mounting situations
- Installers must verify that the supporting surface will safely support the combined weight of the equipment and all attached hardware and components

3. Mounting to a Wooden Stud Wall



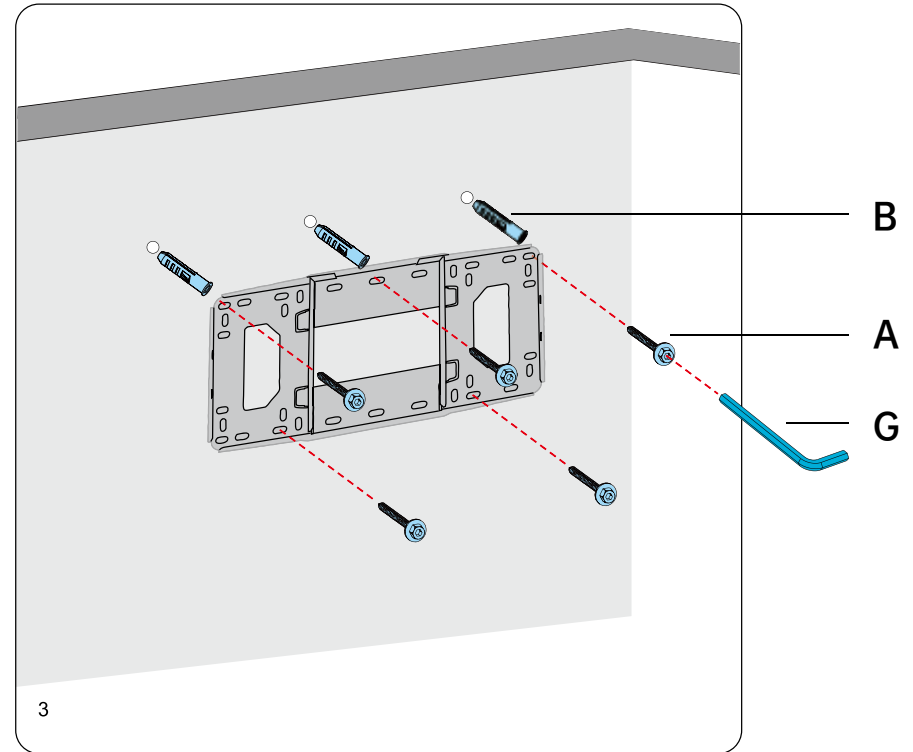
Hold the marking template against the wall where you want to install the projector, mark five holes for drilling.



Using a power drill and a 3/8" masonry drill bit, drill mounting holes of 3/8" (10 mm) diameter and 2.4" (60 mm) depth at the marked locations in the previous step.

3. Mounting to a Wooden Stud Wall

NOTE Do NOT use power drill and do NOT over tighten the lag bolts.

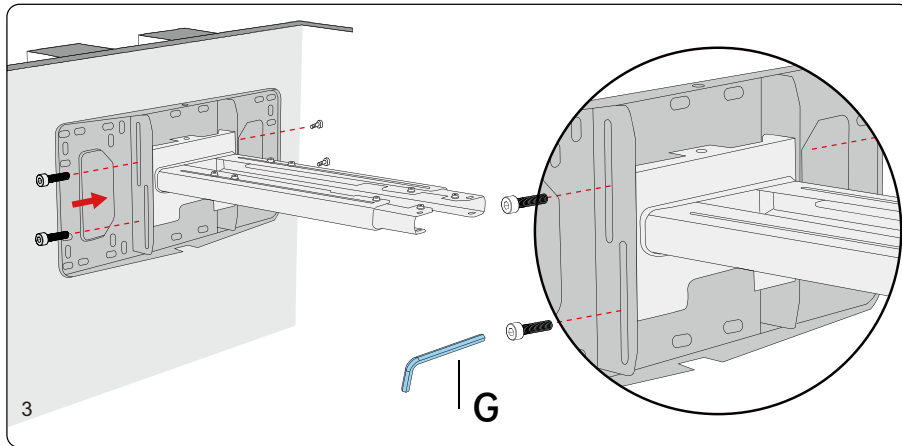
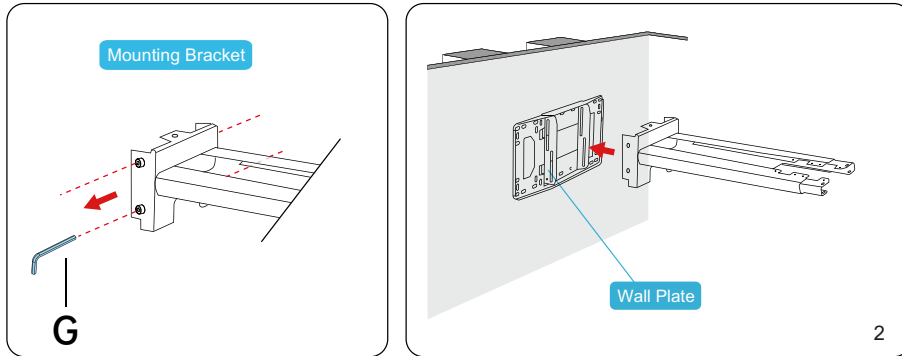


Place concrete anchor (B) in each hole. Tap each anchor flush with the wall using a hammer. Using a 5mm allen key (G), mount the wall plate and fasten with the M6x55mm screw (A).

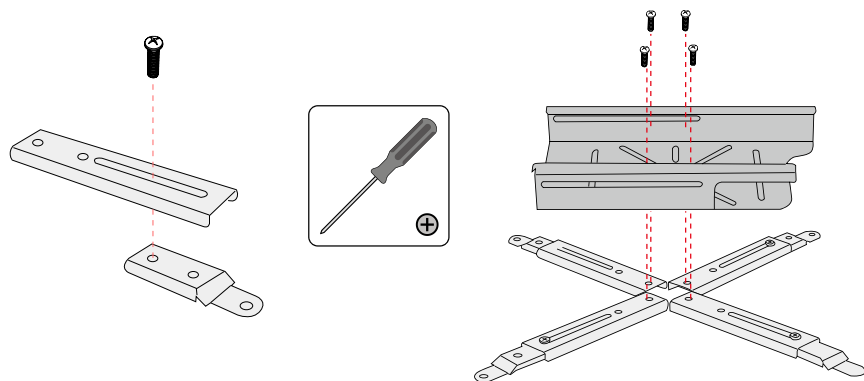
WARNING

- Installers must verify that the supporting surface will safely support the combined weight of the equipment and all attached hardware and components

4. Installing the Mounting Bracket onto the Wall Plate

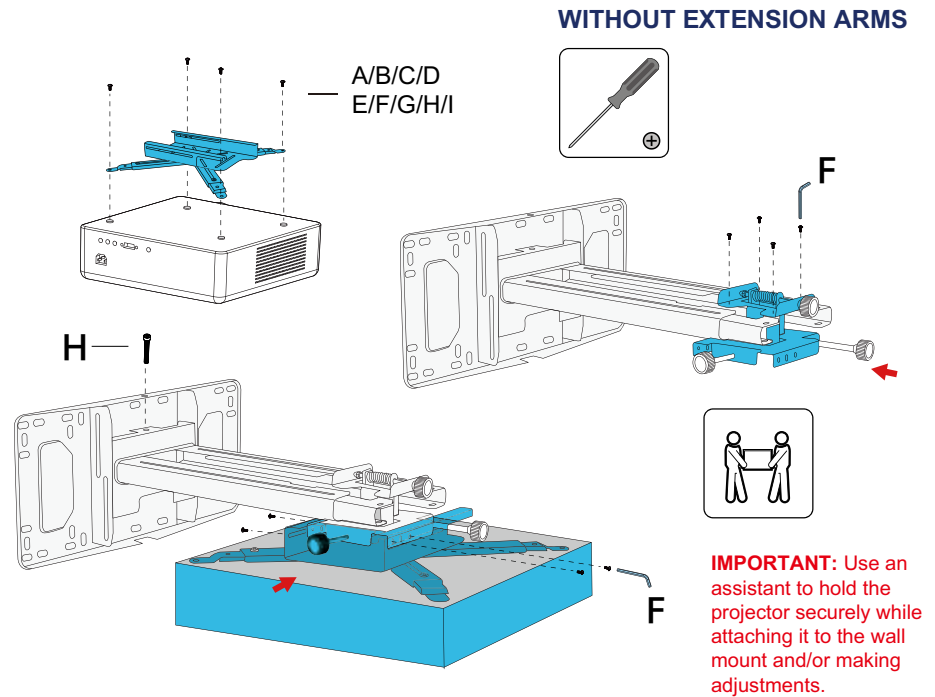


5. Installing the Projector onto the Projector Wall Mount



5. Installing the Projector onto the Projector Wall Mount

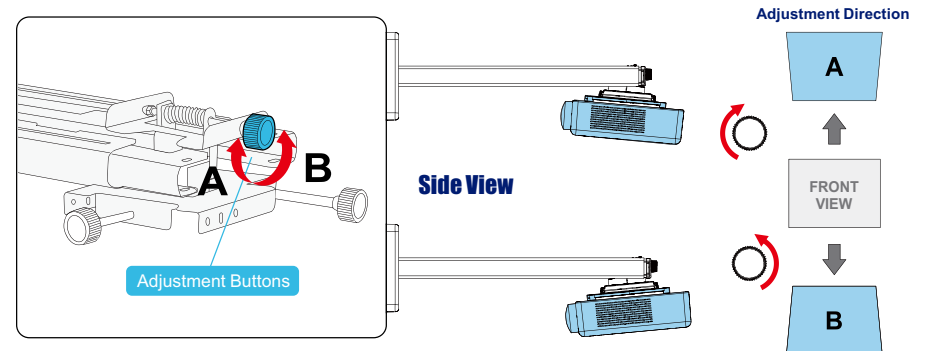
According to the type of your projector, choose the appropriate screws, and then attach the projector mounting plate to the projector, with or without the extension arms.



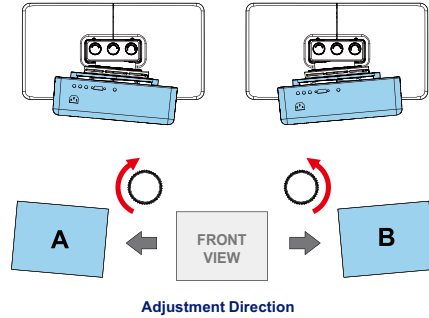
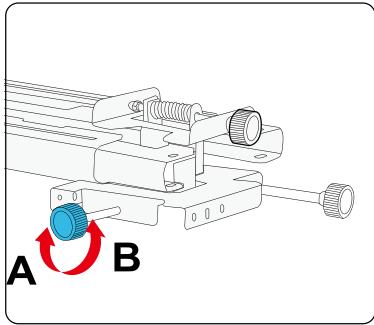
6. Adjustments

After the projector is mounted to the projector mount, make adjustments according to your needs.

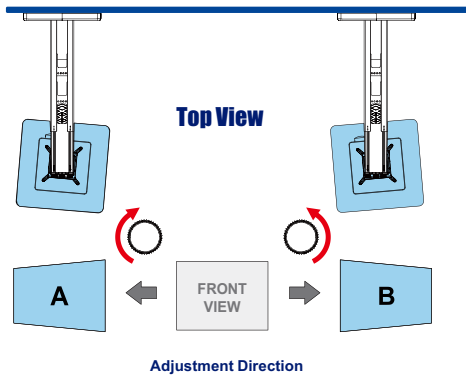
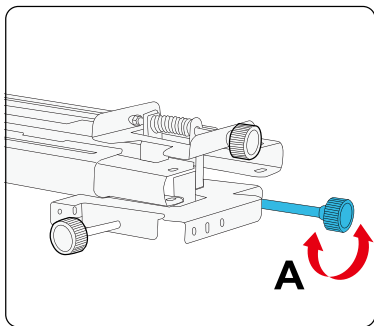
Adjusting the Vertical Tilt



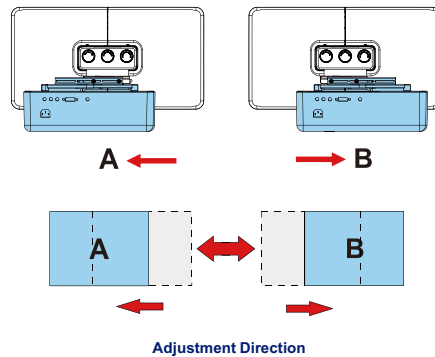
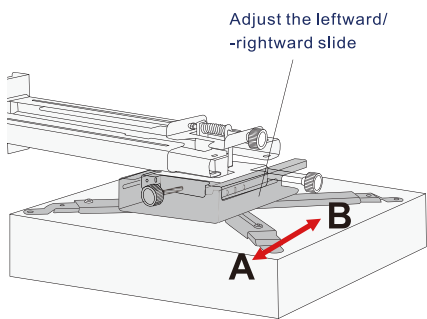
Adjusting the Horizontal Roll



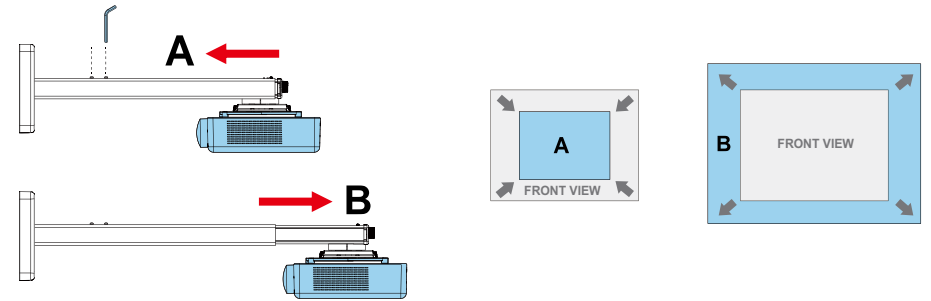
Adjusting the Horizontal Rotation



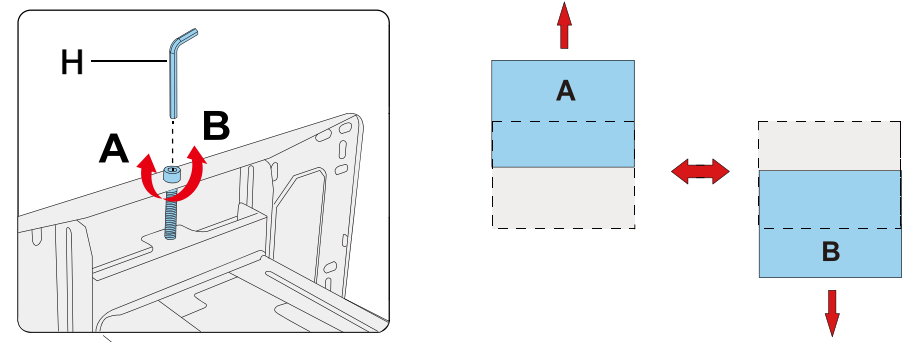
Adjusting the Leftward/Rightward Slide



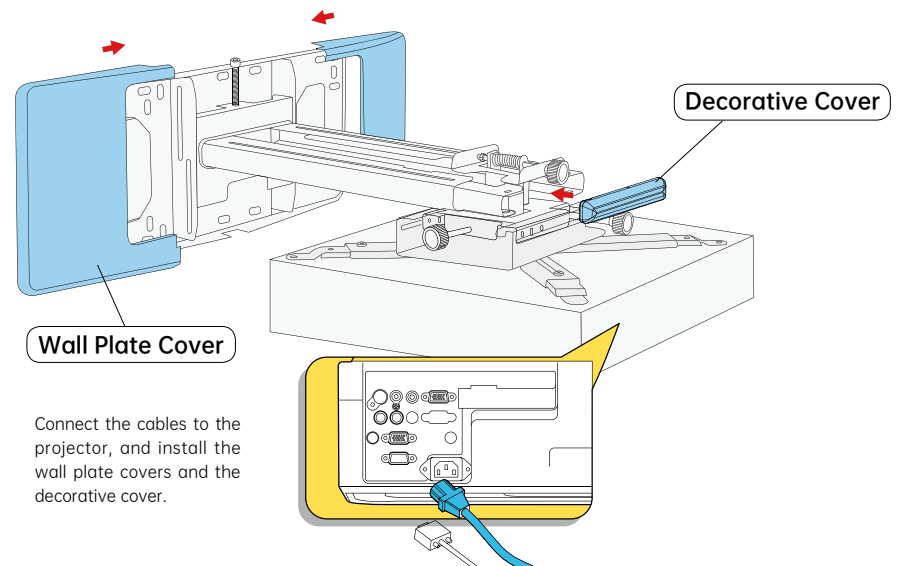
Adjusting the Forward/Backward Slide



Adjusting the Forward/Backward Slide



7. Installing the Wall Plate Covers and the Decorative Cover



7. Product specifications

